

169 - PANDA

[DESCRIPTIONS](#) > [10 ENGINE](#) > [1080 EMISSION CONTROL SYSTEM](#) > [1080D CRANKCASE VAPOUR/GAS RECIRCULATION SYSTEM](#)

169 - Panda 1.2 8v CRANKCASE VAPOUR/GAS RECIRCULATION SYSTEM 1080D



1.2 8v	▼
Fino a 06/06	▼

ADVANCED SEARCH

TYPE

All	▼
-----	---

CONTENTS

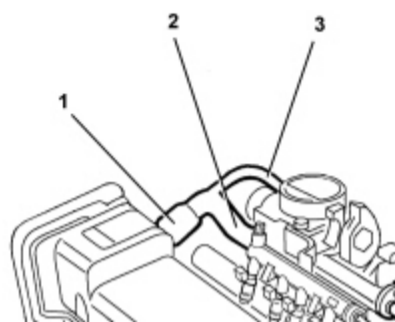
Only Titles	▼
-------------	---

Advanced Search

The system controls the emission of breather gases from the crankcase that are made up of a mixture of air, fuel vapours and burnt gases that seep through the piston seals and of lubricant oil vapours, drawing them back into the engine where they are burnt by the engine.

The breather gases coming from the crankcase go as far as the cylinder head and are then directed (1) into two different intakes:

- with the accelerator throttle opening medium-high, the gases are drawn in by the duct immediately downstream of the air filter (2);
- with small throttle openings (and, in particular, with the engine idling or in deceleration conditions) the gases are drawn in downstream of the throttle (3).



Manual

[Technical Specifications](#)
[Descriptions](#)
[Diagnosis-and-Testing](#)
[Inspection](#)
[Removal-and-Installation](#)
[Electrical equipment](#)
[Service News](#)
[Campaigns](#)
[Rapid Check](#)
[Te.Se.O. Newsletters](#)
[TeSeO technical database](#)